

Charbro®



MECHANICS UTILITY SEAT & 3 DRAWER TOOLBOX
MODEL NO: CMUS3
PART NO: 7630141

USER INSTRUCTIONS

DL1221

INTRODUCTION

Thank you for purchasing this CLARKE Mechanics Utility Seat & 3 Drawer Toolbox.

Before attempting to use the product, it is essential that you read this manual thoroughly and carefully follow all instructions given. In doing so you will ensure the safety of yourself and that of others around you, and you can also look forward to the product giving you long and satisfactory service.

GUARANTEE

This CLARKE product is guaranteed against faulty manufacture for a period of 12 months from the date of purchase. Please keep your receipt as proof of purchase. This guarantee is invalid if the product is found to have been abused or tampered with in any way, or not used for its intended purpose. Faulty goods should be returned to their place of purchase, no product can be returned to us without prior permission. This guarantee does not effect your statutory rights.

SAFETY PRECAUTIONS

1. Use your mobile seat for any task where you would normally sit or kneel. Place on level ground and the floor surface is hard enough that the castors do not sink in.
2. **DO NOT** leave the mobile seat where it may accidentally become a trip hazard.
3. Have any damaged parts repaired or replaced immediately. Use genuine CLARKE parts only. The use of unauthorised parts may be dangerous and will invalidate the guarantee.
4. **NEVER** climb on, stand on, or attempt to ride on the mobile seat or use it to transport heavy objects.
5. **DO NOT** exceed the safe working load of the seat (136kg/300lbs).

UNPACKING & ASSEMBLY

Unpack and lay out all components, checking for any damage which may have occurred during transit, and ensuring that all parts are accounted for by

checking against the parts list. Should there be any deficiency or damage, please contact your CLARKE dealer immediately.

PARTS LIST

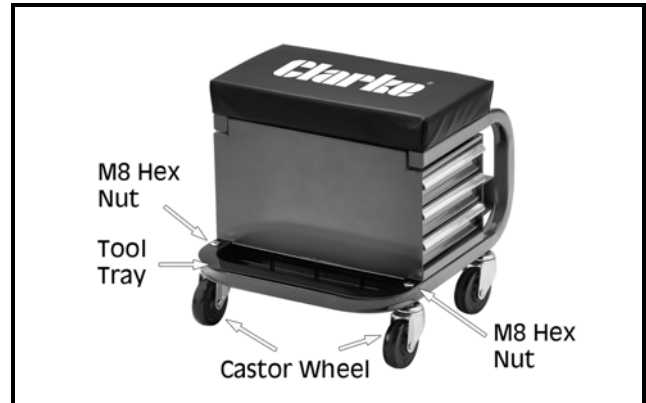
1	1 x 3 Drawer Set and Seat Frame	3	4 x M8 Inner Hexagon Nuts
2	1 x Tool Tray	4	4 x 3" Castor Wheels

ASSEMBLY

1. Place the tool tray in the slot on the side of the seat frame.
2. Place the M8 inner hexagon nuts in the holes on each corner of the frame and screw the castor wheels into the nuts, making sure the 2 nuts on the tool tray side clamp the tray to the frame.

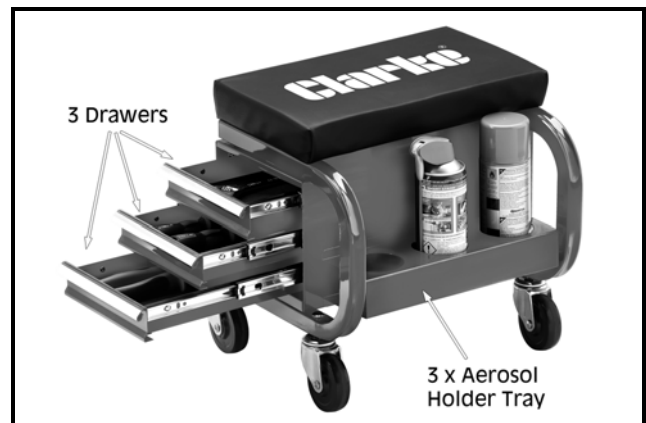
Check that all nuts are tight and secure before using this seat.

Your mobile seat is now ready for use.



SPECIFICATIONS

The seat has 3 drawers with ball bearing runners built in and 3 circular holders for aerosols. The 3 drawers have a length of 300mm, with a clearance of 250mm, width of 150mm and depth of 40mm. The aerosol holders are 70mm in diameter with a depth of 52mm.



Model Number	CMUS3
Dimensions (D x W x H, Incl. Casters)	400mm x 400mm x 400mm
Weight	8.55kg
Underside Clearance	95mm
Safe Working Load	136kg/300lbs

A SELECTION FROM THE VAST RANGE OF

Clarke®

QUALITY PRODUCTS



AIR COMPRESSORS
From DIY to industrial, Plus air tools, spray guns and accessories.

GENERATORS
Prime duty or emergency standby for business, home and leisure.

POWER WASHERS
Hot and cold, electric and engine driven - we have what you need

WELDERS
Mig, Arc, Tig and Spot. From DIY to auto/industrial.

METALWORKING
Drills, grinders and saws for DIY and professional use.

WOODWORKING
Saws, sanders, lathes, mortisers and dust extraction.

HYDRAULICS
Cranes, body repair kits, transmission jacks for all types of workshop use.

WATER PUMPS
Submersible, electric and engine driven for DIY, agriculture and industry.

POWERTOOLS
Angle grinders, cordless drill sets, saws and sanders.

STARTERS/CHARGERS
All sizes for car and commercial use.



PARTS & SERVICE: 0208 988 7400

Parts Enquiries
Parts@clarkeinternational.com

Servicing & Technical Enquiries
Service@clarkeinternational.com

SALES: UK 01992 565333 or Export 00 44 (0)1992 565335

Clarke® INTERNATIONAL Hemnall Street, Epping, Essex CM16 4LG
www.clarkeinternational.com